

- CAN1_LD1 - PA7
- CAN1_LD2 - PC12
- CAN1_STDBY - PB11

- CAN2_LD1 - PA5
- CAN2_LD2 - PA6
- CAN2_STDBY - PC7

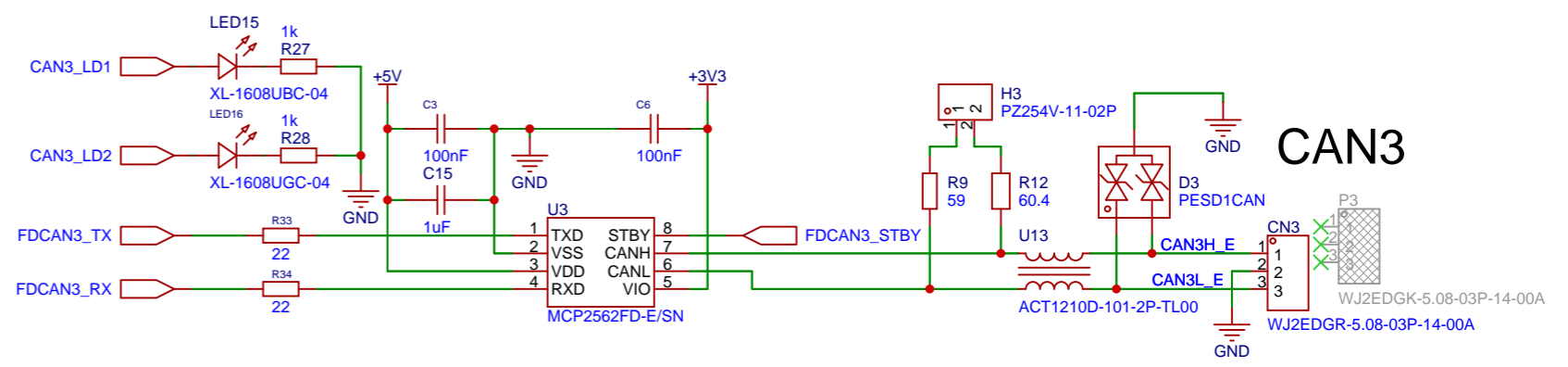
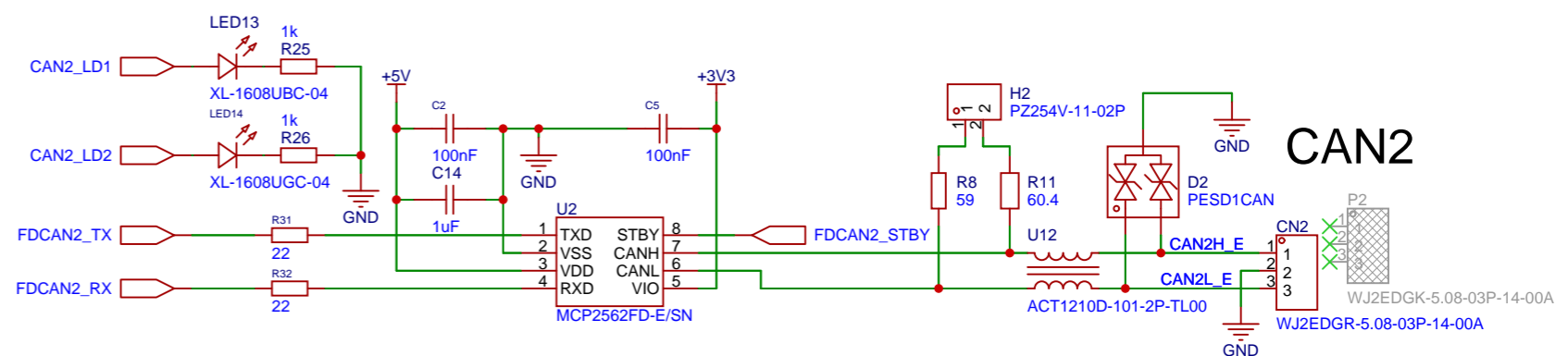
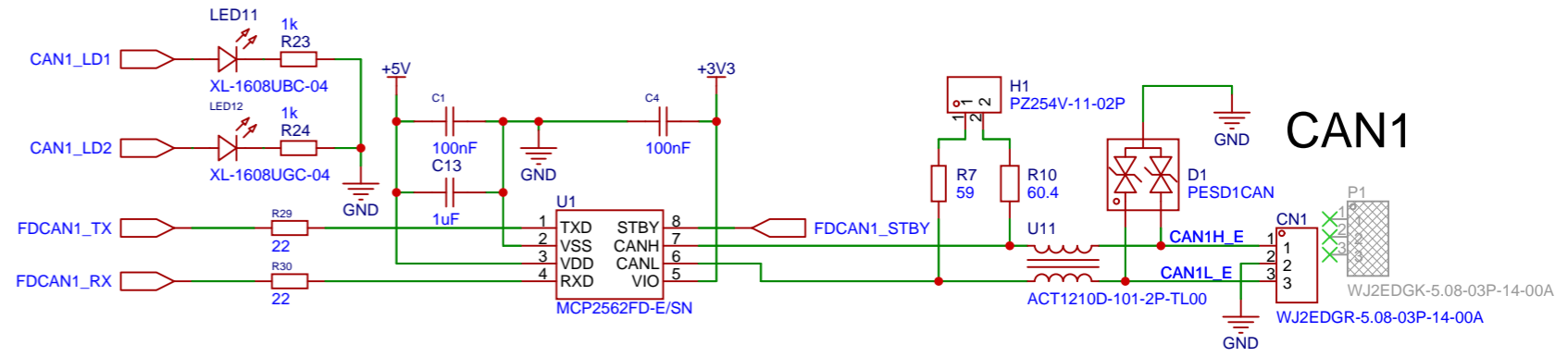
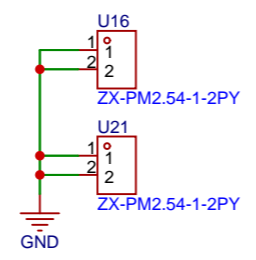
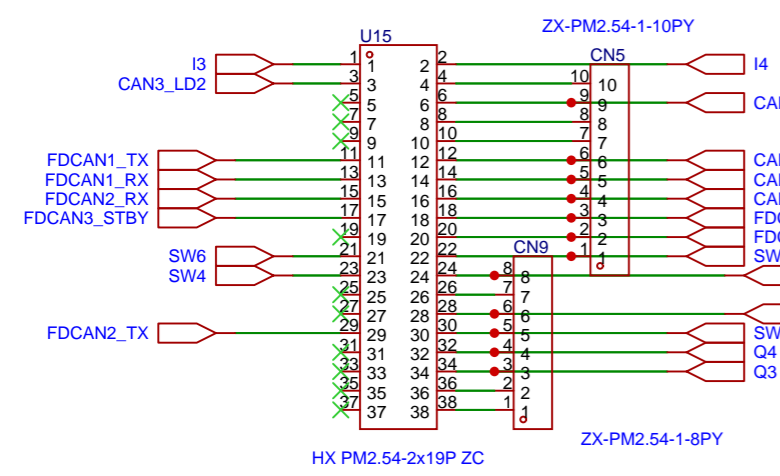
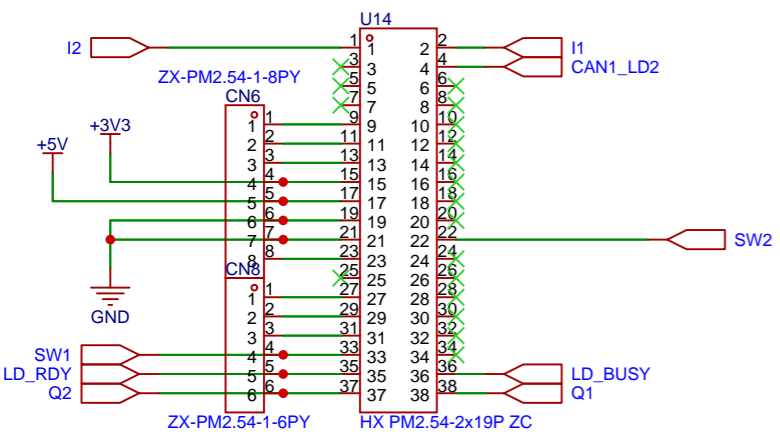
- CAN3_LD1 - PB9
- CAN3_LD2 - PC6
- CAN3_STDBY - PB6

- I1 - PC10
- I2 - PC11
- I3 - PC8
- I4 - PC9

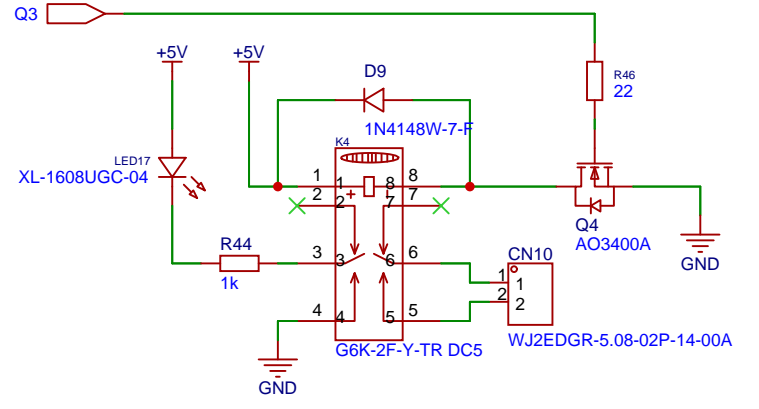
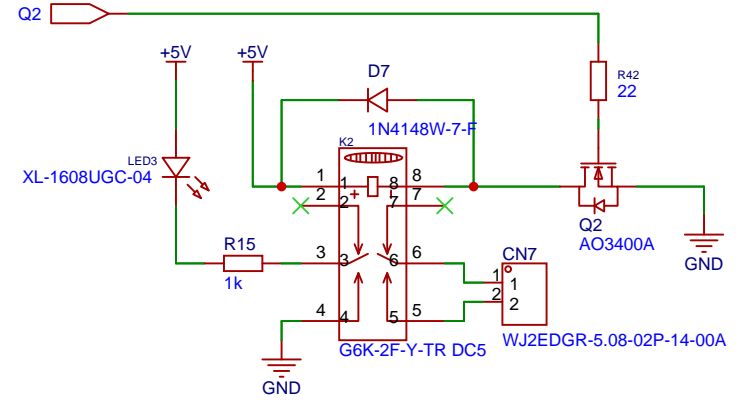
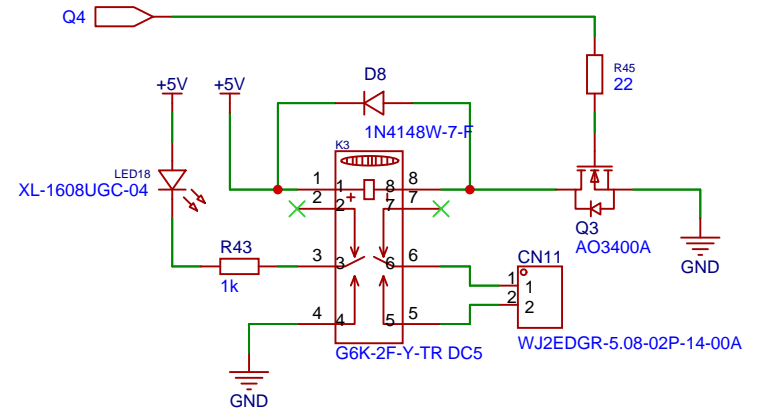
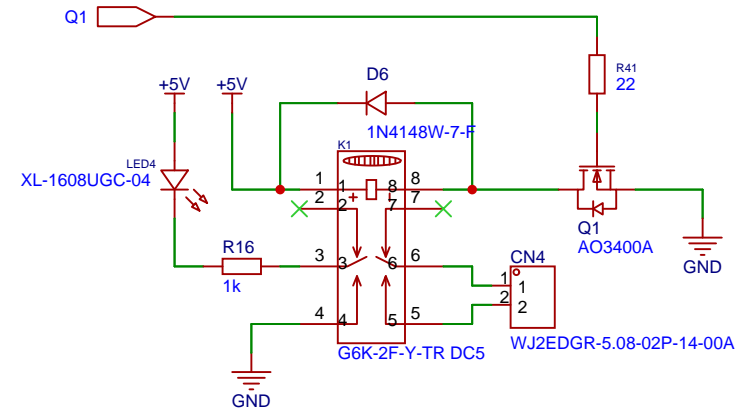
- LD_BUSY - PC2
- LD_RDY - PC1

- Q1 - PC3
- Q2 - PC0
- Q3 - PA10
- Q4 - PB3

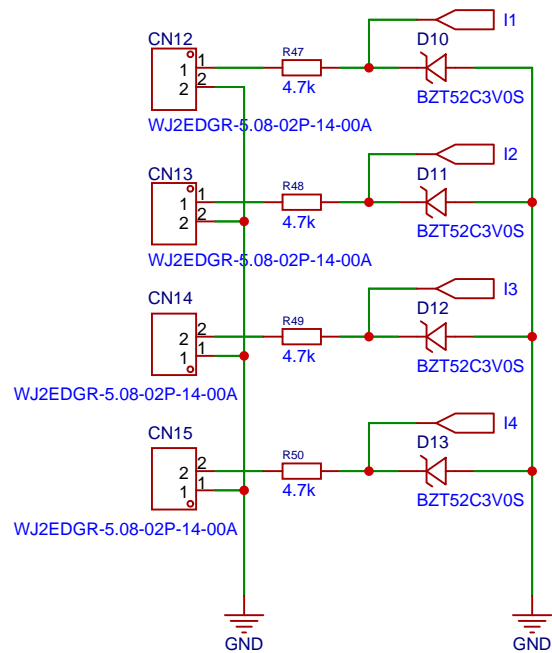
- SW1 - PB0
- SW2 - PB7
- SW3 - PB5
- SW4 - PB1
- SW5 - PA9
- SW6 - PB2



Schematic	CAN FD shield G474 schematic		Create at	2026-01-09
Board	CAN FD shield G474		Update at	2026-02-21
Drawn			Page	Main part
Reviewed			CAN fd shield nucleo	
			Version	Size
			V1.0	A4
			Page 1 Total 3	
EasyEDA			EasyEDA.com	



Schematic	CAN FD shield G474 schematic			Create at	2026-01-25
Board	CAN FD shield G474			Update at	2026-01-27
Drawn				Page	Relays
Reviewed				CAN fd shield nucleo	
				Page 2 Total 3	
		Version	Size	EasyEDA.com	
		V1.0	A4		



Schematic	CAN FD shield G474 schematic		Create at	2026-01-25
Board	CAN FD shield G474		Update at	2026-01-26
Drawn		CAN fd shield nucleo		
Reviewed				
		Version	Size	Page 3 Total 3
		V1.0	A4	EasyEDA.com