

- CAN1_LD1 - PA7
- CAN1_LD2 - PC12
- CAN1_STDBY - PB11

- CAN2_LD1 - PA5
- CAN2_LD2 - PA6
- CAN2_STDBY - PC7

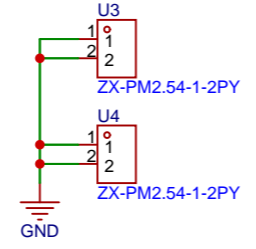
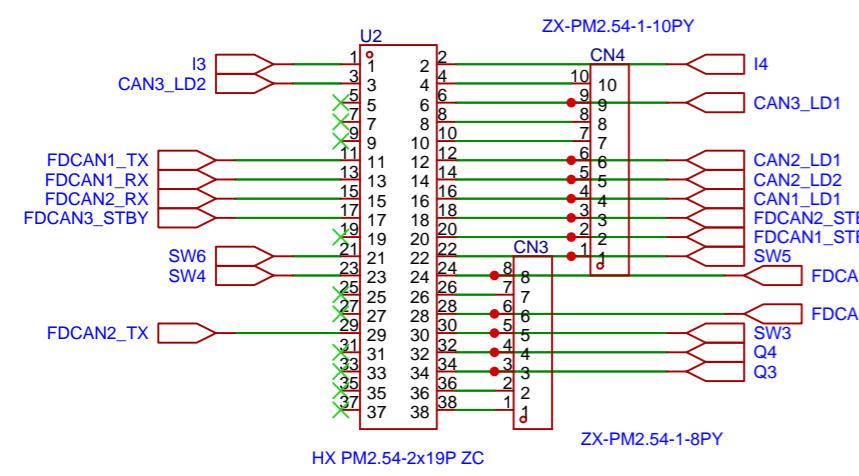
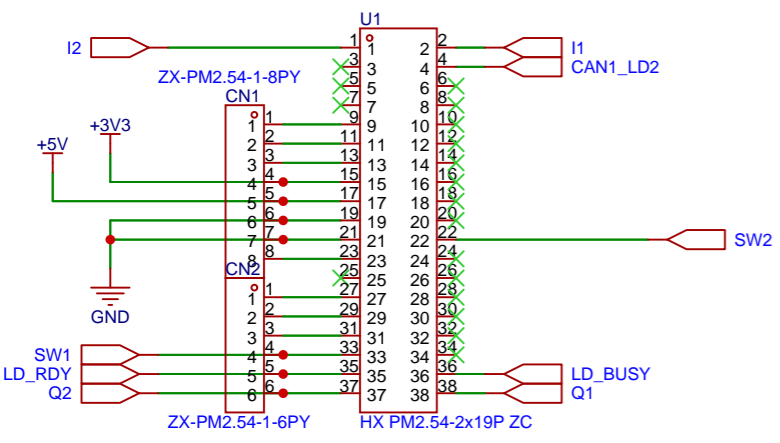
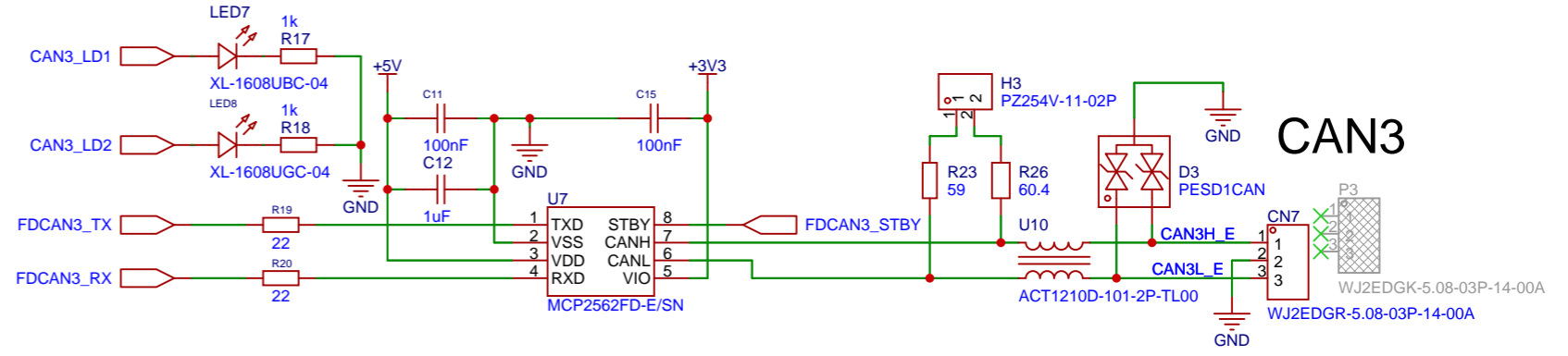
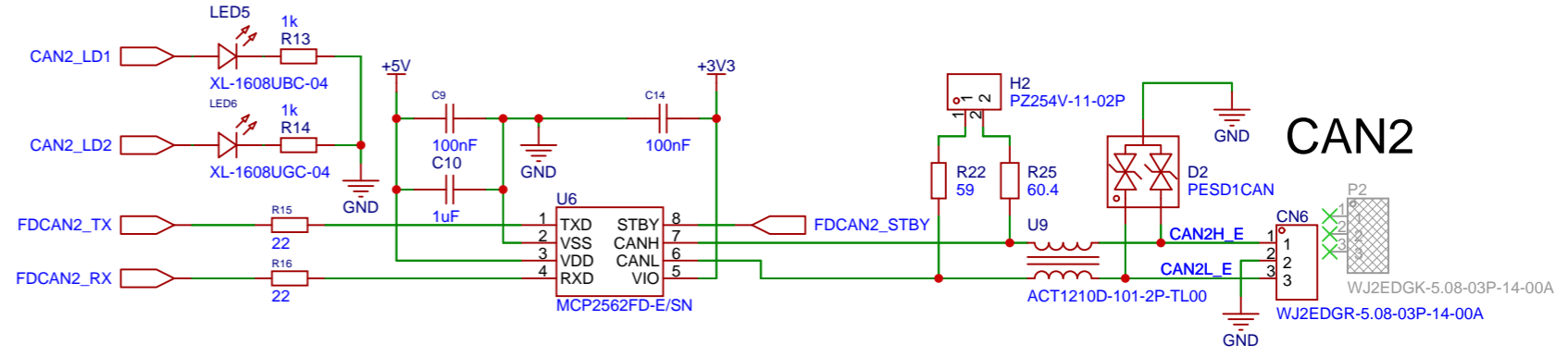
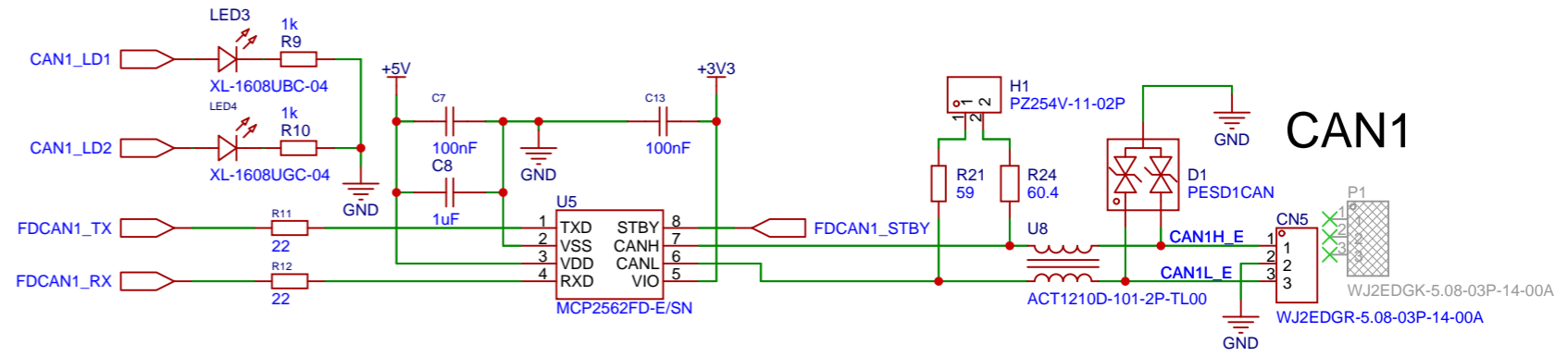
- CAN3_LD1 - PB9
- CAN3_LD2 - PC6
- CAN3_STDBY - PB6

- I1 - PC10
- I2 - PC11
- I3 - PC8
- I4 - PC9

- LD_BUSY - PC2
- LD_RDY - PC1

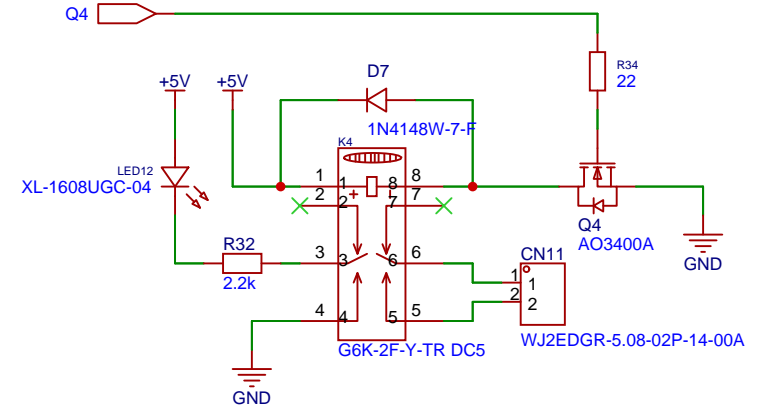
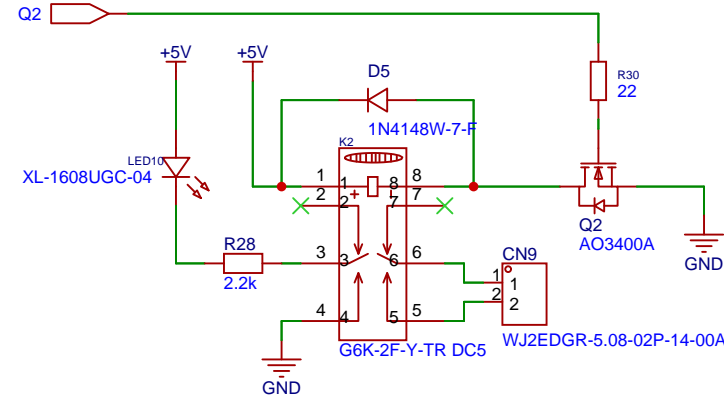
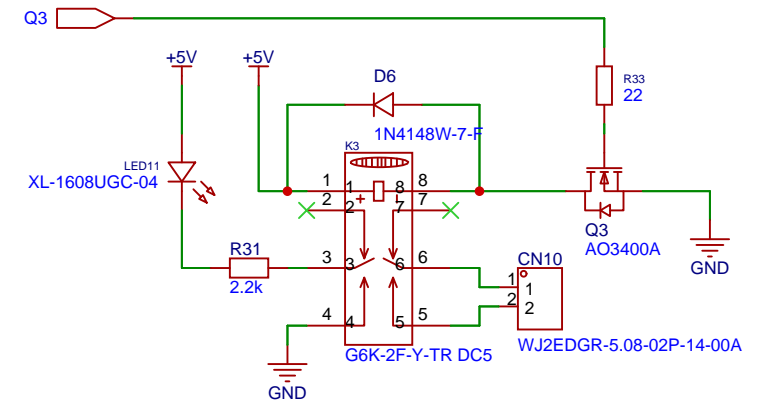
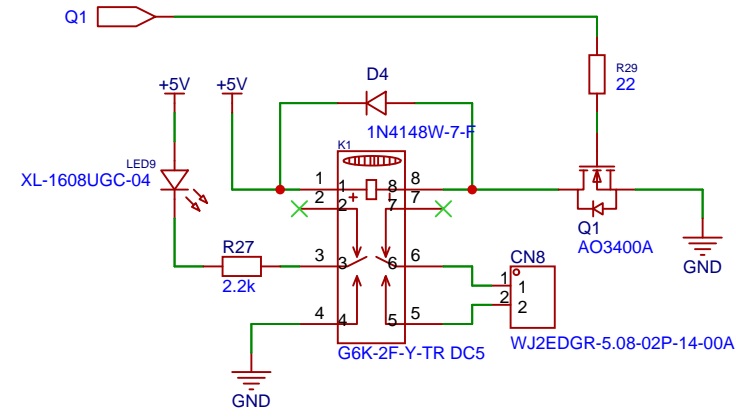
- Q1 - PC3
- Q2 - PC0
- Q3 - PA10
- Q4 - PB3

- SW1 - PB0
- SW2 - PB7
- SW3 - PB5
- SW4 - PB1
- SW5 - PA9
- SW6 - PB2

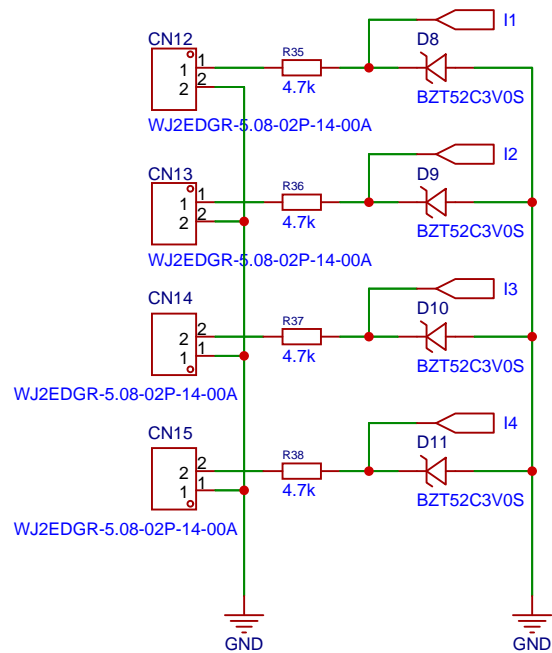


Schematic	CAN FD shield G474 schematic		Create at	2026-01-09
Board	CAN FD shield G474		Update at	2026-03-28
Drawn			Page	Main part
Reviewed			CAN-FD HAT for NUCLEO-G474RE v1.2	
		Version	Size	Page 1 Total 3
		V1.0	A4	Embedded Garage





Schematic	CAN FD shield G474 schematic			Create at	2026-01-25
Board	CAN FD shield G474			Update at	2026-03-28
Drawn				Page	Relays
Reviewed				CAN-FD HAT for NUCLEO-G474RE v1.2	
				Page 2 Total 3	
				Version	Size
				V1.0	A4
				EasyEDA.com	



Schematic	CAN FD shield G474 schematic		Create at	2026-01-25
Board	CAN FD shield G474		Update at	2026-03-28
Drawn			Page	inputs
Reviewed		CAN-FD HAT for NUCLEO-G474RE v1.2		
		Version	Size	Page 3 Total 3
		V1.0	A4	EasyEDA.com